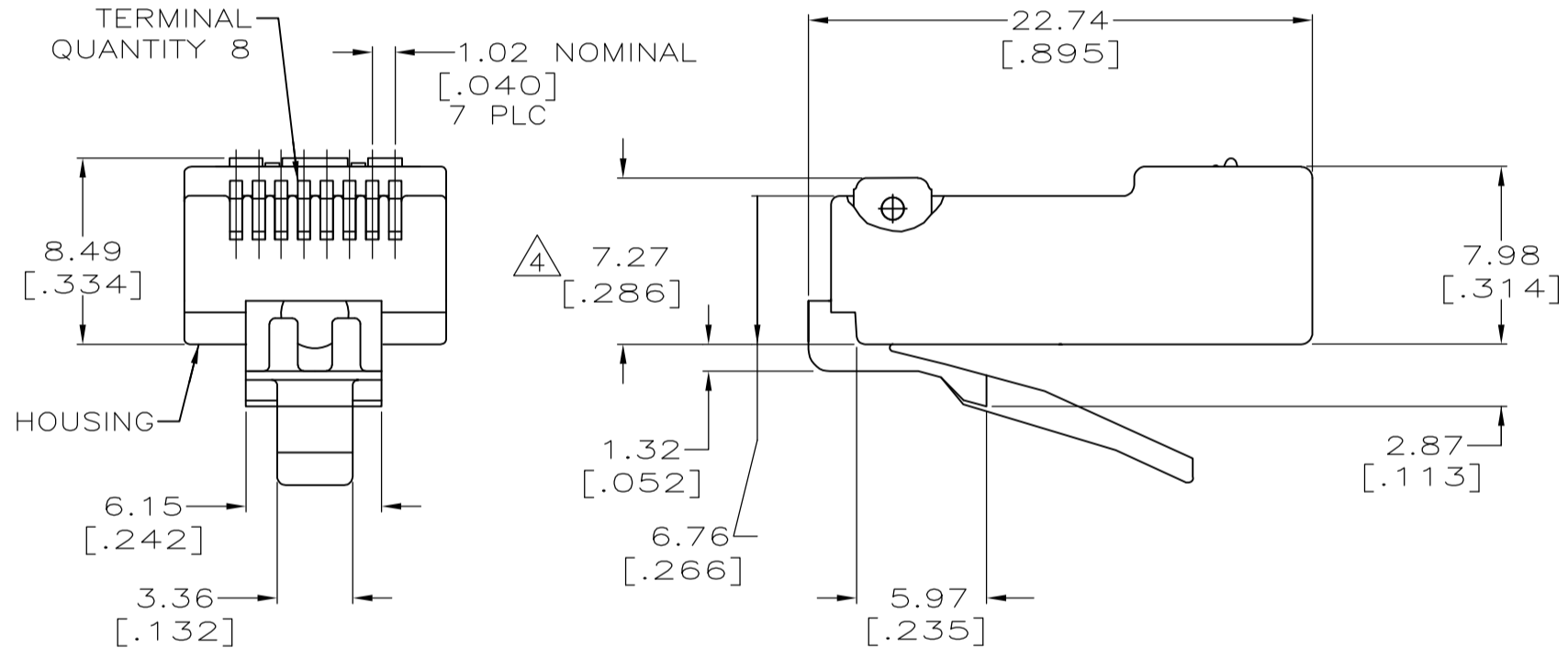
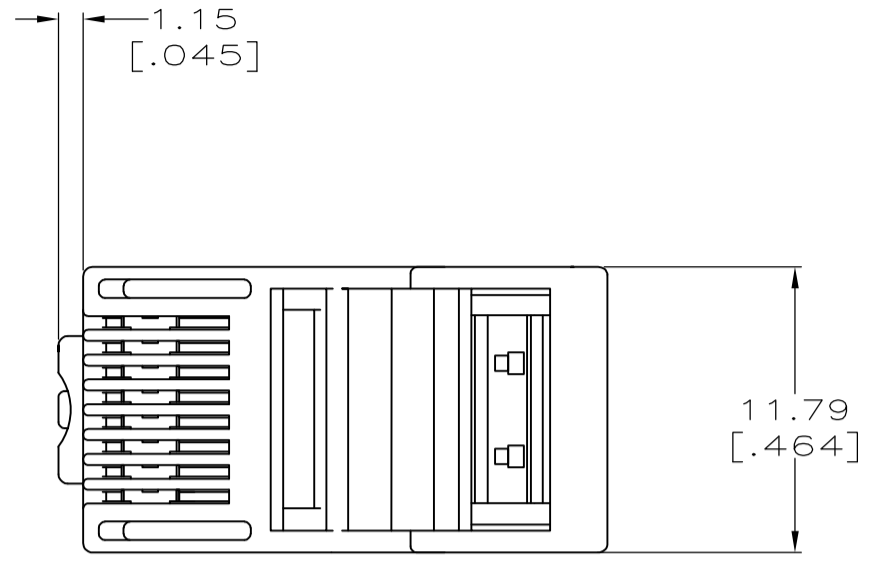


LOC		DIST		REVISIONS				
P	LTR	DESCRIPTION	DATE	DWN	APVD			
C		ECO-06-021606	13OCT06	JM	CD			
D		REV ECO-08-004066	21FEB08	LH	BM			



- 1. DIMENSIONS ARE MAXIMUM UNLESS OTHERWISE SPECIFIED.
- 2. MATERIAL: HOUSING—POLYCARBONATE, CLEAR.

TERMINAL—PHOSPHOR BRONZE, PLATED WITH 1.27 μ m [.000050] MINIMUM THICK GOLD IN LOCALIZED GOLD PLATE AREA, GOLD FLASH OVER THE REMAINDER, OVER 2.54 μ m [.000100] MINIMUM THICK NICKEL UNDERPLATE.
- 3. PLUG WILL ACCEPT 26 OR 24 AWG SOLID WIRE, 0.74–0.99 [.029–.039] DIAMETER, WITH A 5.08 [.200] DIAMETER JACKET.
- 4. TERMINATED DIMENSION 6.15 [.242] MAXIMUM.
- 5. 10,000 LOOSE PIECES PER PACKAGE.
- 6. 500 LOOSE PIECES PER PACKAGE.
- 7. 100 ASSEMBLIES PER PACKAGE.
- 8. 25 LOOSE PIECES PER PACKAGE.

8	5-557315-4
7	5-557315-3
6	5-557315-2
5	5-557315-1

THIS DRAWING IS A CONTROLLED DOCUMENT.		DWN D. DRUMMOND 4-26-91	Tyco Electronics Corporation Harrisburg, PA 17105-3608	
DIMENSIONS: mm [INCHES]		CHK M. MAYBERRY 4-6-92	NAME LAURER/MCGRATH	
TOLERANCES UNLESS OTHERWISE SPECIFIED:		APVD 10-5-94	PRODUCT SPEC 108-1163	
0 PLC ± -		APPLICATION SPEC 114-6016		
1 PLC ± - 1		SIZE A2		
2 PLC ± -		CAGE CODE 00779		
3 PLC ± -		DRAWING NO 557315		
4 PLC ± -		RESTRICTED TO		
ANGLES ± -		WEIGHT		
FINISH ± -		CUSTOMER DRAWING		
MATERIAL - 2		SCALE 4:1 SHEET 1 OF 1 REV D		